

# MULTI-RACK TIPS



Multi-Rack Tips



Made from virgin polypropylene



Universal tips



Graduated tips



RNase/DNase free



ISO 8655



No release agents used



New-generation **Low-binding** technology



Diamond-tipped polished mould.  
The tips avoid cavities or occlusions



Recyclable



Lid hinged



Trays coloured according to the volume of the tip



Stackable, reusable racks with filterless tip refills

## FILTER TIPS

The filter does not trap the sample, so in the event of overpipetting some of the liquid can be recovered.

Low-binding tips.



## TIPS WITHOUT FILTER

Sterile rack or refill packaging

Sterile rack :

Standard or low-binding tips.  
Reusable racks with refill tips without filter.

Refill :

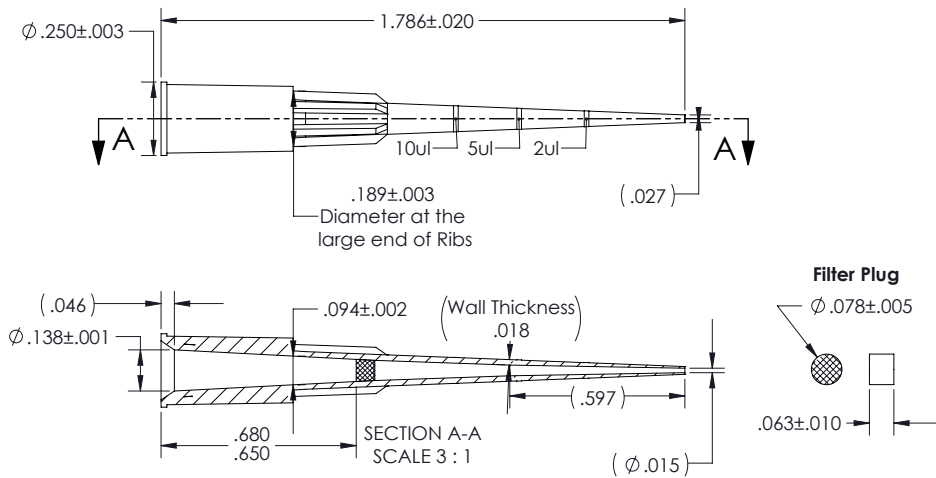
Standard tips.  
Refills are packaged in **2 rounds of 5 trays** with a protective cover.

Distributed by

## 10 µl tips

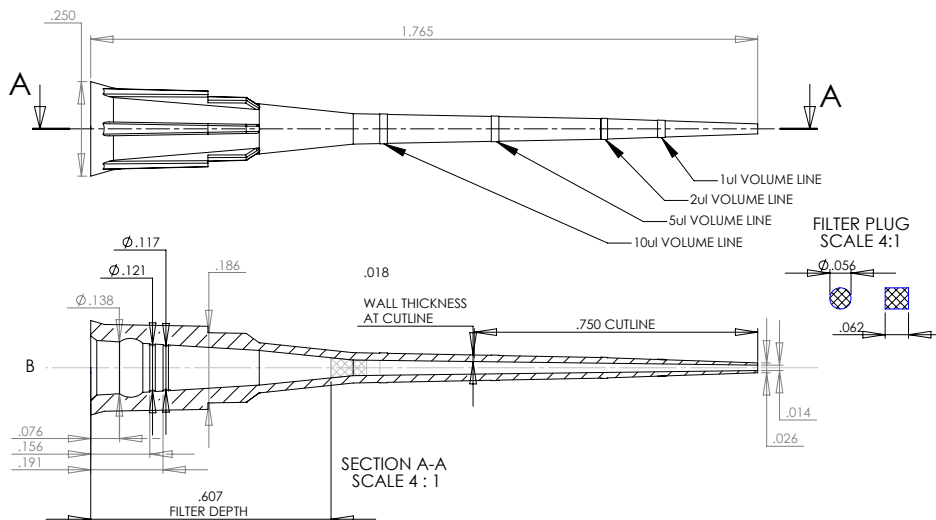
### Long reach

- Long and graduated
- Ideal for 1.5 ml and 2 ml microtubes



### Sharp

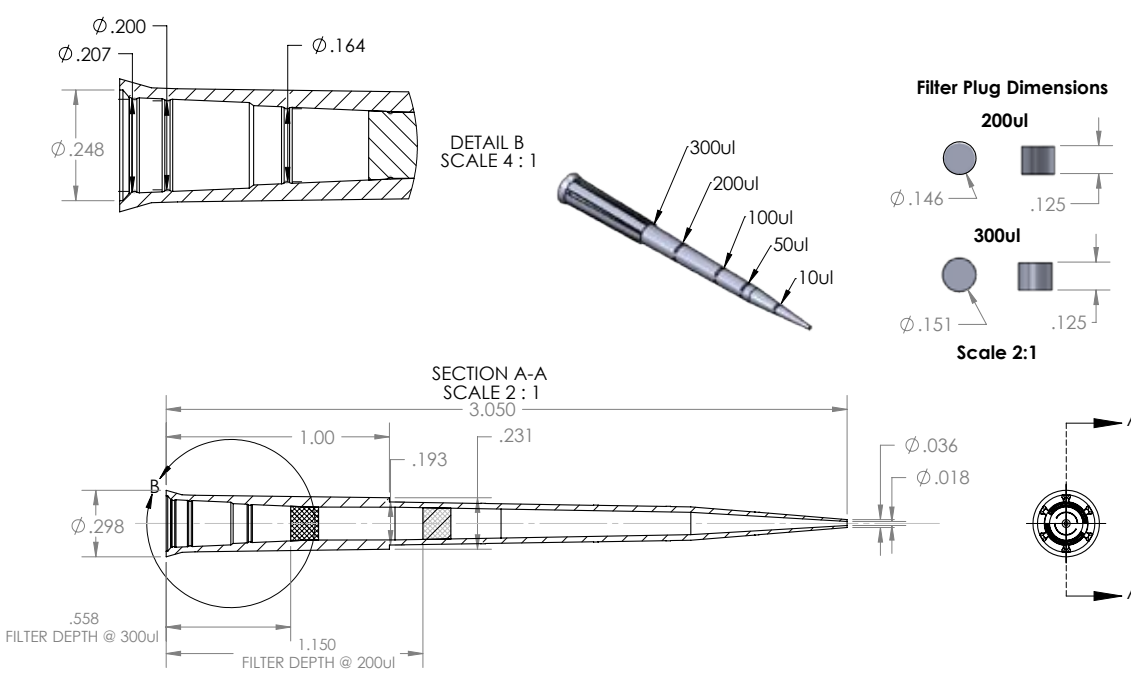
- Very fine and graduated: 1 µl, 2 µl, 5 µl and 10 µl
- Exceptional precision: ideal for molecular biology applications such as PCR and NGS
- The only 10 µl tip graduated to 1 µl



**200 µl tips**

**Multiguard 3**

- One tip for three micropipettes : 20 µl, 100 µl and 200 µl
- Graduation 20 µl, 50 µl, 100 µl and 200 µl
- Extra long 77.5 mm : ideal for assay blocks

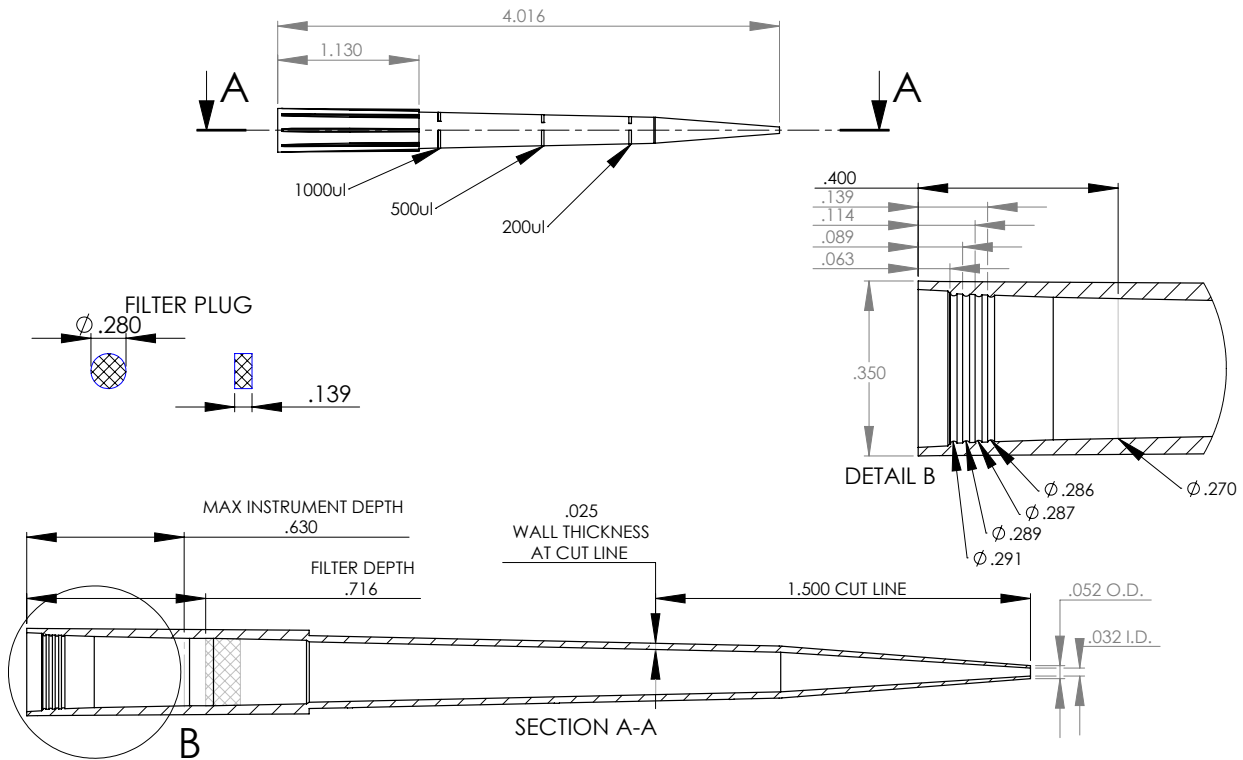


**Multiguard 3 VS Std 200 µl**

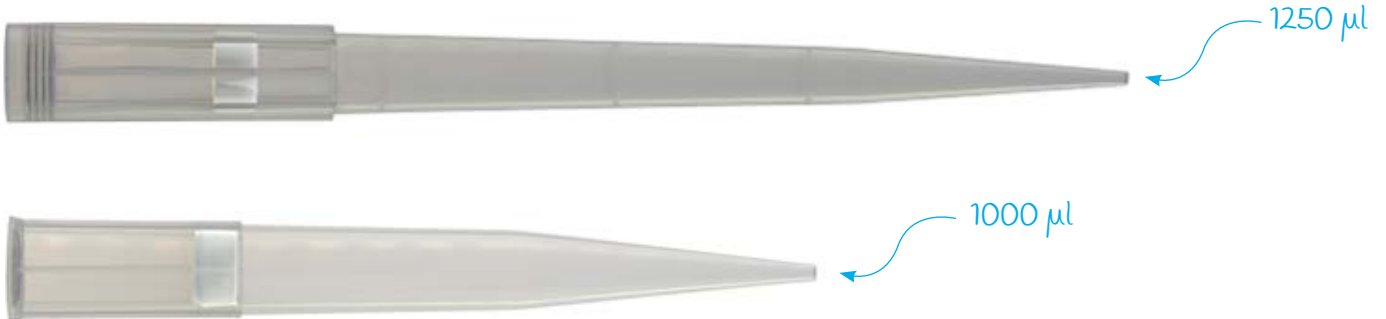


## 1250 µl tips

- Exclusive, long-lasting design: ideal for 15 and 50ml tubes and assay blocks
- 200 µl, 500 µl and 1000 µl graduations



## 1250 µl VS Std 1000 µl





Cell-Rack Tips



Made from virgin polypropylene



Universal tips



Graduated tips



RNase/DNase free



ISO 8655 standard



No release agents used



New-generation **Low-binding** technology



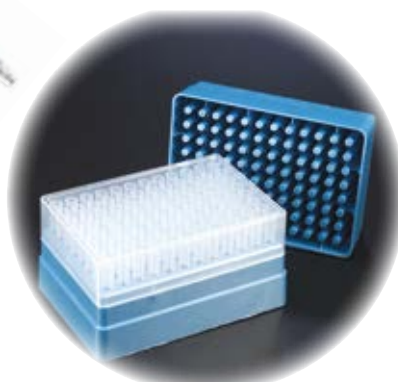
Diamond-tipped polished mould.  
The tips avoid cavities or occlusions



Hinged or sliding lid (vol. 10, 20, 100, 200, 200 µl)  
- Hinged lid tip : each tip is housed in a closed individual cell that prevents any risk of contamination from tips to tips.



Recyclable



## FILTER TIPS

The filter does not trap the sample, so in the event of overpipetting some of the liquid can be recovered.

Standard or Low-binding tips.

Rack are compatible for the use of multi-channel pipettes.



## TIPS WITHOUT FILTER

Loose, sterile, nonsterile or refill packaging

Rack with sliding or hinged lid

For refill :

Coloured trays according to the vol. of the tips.

Special empty box for refills.

The refills are packaged in 2 towers of 5 trays with only one cover for both towers.

## Multi-Rack Filter tips Low-binding

Cat. No.	Description
<b>077250T</b>	Multirack 10µl, Filter Tips Sharp, Sterile, Low Binding , Rack 10x96
<b>077260T</b>	Multirack 20µl Filter Tips, Sterile, Low Binding, Rack 10x96
<b>077270T</b>	Multirack 100µl, Filter Tips, Sterile, Low Binding, Rack 10x96
<b>077290T</b>	Multirack 200µl Multiguard3, Filter Tips, Sterile, Low Binding, Rack 8x96
<b>077280T</b>	Multirack 200µl Nx, Filter Tips, Sterile, Low Binding, Rack 10x96
<b>077300T</b>	Multirack 300µl Xt, Filter Tips Extended Length, Sterile, Low Binding, Rack 8x96
<b>077310T</b>	Multirack 1250µl /1000µl Xl, Filter Tips Extended Length, Sterile, Low Binding, Rack 8x96
<b>077310T</b>	Multirack 1250µl 1000xt, Filter Tips ,Sterile, Low Bind., 10 Racks X96

## Multi-rack reload

Cat. No.	Description
<b>170500</b>	Tips Reload System 10µl Microreach, 4 Packs X10 Racks X96
<b>170600</b>	Tips Reload System 10µl Microreach, Low Bind., 4 Packs X10 Racks X96
<b>170510</b>	Tips Reload System 200µl Stdzn, 4 Packs X10 Racks X96
<b>170520</b>	Tips Reload System 200µl Stdzn Yellow, 4 Packs X10 Racks X96
<b>170610</b>	Tips Reload System 200µl Stdzn, Low Bind., 4 Packs X10 Racks X96
<b>170510</b>	Reload System 200µl,Tips, Standard, 4x960
<b>170610</b>	Reload System 200µl,Tips, Low Binding, 4x960
<b>170520</b>	Reload System 200µl,Tips, Standard-Yellow, 4x960
<b>170530</b>	Tips Reload System 300µl Nx, 4 Packs X10 Racks X96
<b>170530</b>	Reload System 300µl,Tips, Standard, 4x960
<b>170620</b>	Reload System 300µl,Tips, Low Binding, 4x960
<b>170540</b>	Reload System 1000µl, Tips, Standard, 4x768
<b>170540</b>	Tips Reload System 1250µl 1000xt, 4 Packs X8 Racks X96

## Multi-rack tips in rack

Cat. No.	Description
<b>077840</b>	MultiRack 10µl Long Reach, Tips Extended Length, Standard, Rack 10x96
<b>077850</b>	MultiRack 10µl Long Reach,Tips Extended Length, Sterile, Rack 10x96
<b>077850T</b>	MultiRack 10µl Long Reach,Tips Extended Length Sterile, Low Binding, Rack 10x96
<b>170500</b>	Reload System 10µl, Tips, Standard, 4x960
<b>170600</b>	Reload System 10µl, Tips, Low Binding, 4x960
<b>077860</b>	MultiRack 200µl, Tips, Standard, Rack 10x96
<b>077870</b>	MultiRack 200µl, Tips , Sterile, Rack 10x96
<b>077870T</b>	MultiRack 200µl, Tips, Sterile, Low Binding, Rack 10x96
<b>077880</b>	MultiRack 300µl NX, Tips, Standard, Rack 10x96
<b>077890</b>	MultiRack 300µl NX, Tips, Sterile, Rack 10x96
<b>077890T</b>	MultiRack 300µl NX, Tips, Sterile, Low Binding, Rack 10x96
<b>077900</b>	MultiRack 1250µl /1000µl XT, Tips Extended Length, Standard, Rack 8x96
<b>077910</b>	MultiRack 1250µl /1000µl XT, Tips Extended Length, Sterile, Rack 8x96

## Cell rack filter tips

Cat. No.	Description
<b>03800</b>	10xl Microreach Filter Tip Generic , X960
<b>038000CL</b>	Filter Tips 0,1-10µl Long Reach Racked Natural Graduated Sterile X960
<b>028200</b>	Microguard 10µl 10g, Filter Tips, Sterile, Covering Lid, 10 Racks X96
<b>035200</b>	Microguard 10µl 10g, Filter Tips, Sterile, Low Bind., Covering Lid, 10 Racks X96
<b>130340</b>	Microguard 10µl XI Sharp, Filter Tips, Sterile, Hinged Lid, 10 Racks X96
<b>015020</b>	Mrg 10µl 10e, Filter Tips, Sterile, Covering Lid, 10 Racks X96
<b>035210</b>	Mrg 10µl 10e, Filter Tips, Sterile, Low Bind., Covering Lid, 10 Racks X96
<b>038000</b>	Mrg 10µl, Filter Tips Ext Length, Sterile, Covering Lid, 10 Racks X96
<b>038000T</b>	Mrg 10µl, Filter Tips Ext Length, Sterile, Low Bind., Covering Lid, 10 Racks X96
<b>030360T</b>	Mrg 10µl, Filter Tips Ext Length, Sterile, Low Bind., Hinged Lid, 10 Racks X96
<b>037660T</b>	Tips 10µl Microreach, Sterile, Low Bind., Covering Lid, 5 Packs X10 Racks X96
<b>014210</b>	Mrg 20µl, Filter Tips, Sterile, Covering Lid, 10 Racks X96
<b>035220</b>	Mrg 20µl, Filter Tips, Sterile, Low Bind., Covering Lid, 10 Racks X96
<b>030370T</b>	Mrg 20µl, Filter Tips, Sterile, Low Bind., Hinged Lid, 10 Racks X96
<b>036060TCL</b>	Low Binding Filter Tips 1-100µl Racked Universal Natural Graduated Sterile X960
<b>036060</b>	Mrg 100µl, Filter Tips, Sterile, Covering Lid, 10 Racks X96
<b>036060T</b>	Mrg 100µl, Filter Tips, Sterile, Low Bind., Covering Lid, 10 Racks X96
<b>030380T</b>	Mrg 100µl, Filter Tips, Sterile, Low Bind., Hinged Lid, 10 Racks X96
<b>017370CL</b>	Filter Tips 1-200µl Multifit Racked Universal Natural Graduated Sterile X960
<b>030550T</b>	Mrg 200µl Nx, Filter Tips, Sterile, Low Bind., Covering Lid, 10 Racks X96
<b>014220</b>	Mrg 200µl, Filter Tips, Sterile, Covering Lid, 10 Racks X96
<b>030390T</b>	Mrg 200µl, Filter Tips, Sterile, Low Bind., Hinged Lid, 10 Racks X96
<b>035240</b>	Mrg3 200µl, Filter Tips, Sterile, Low Bind., Covering Lid, 10 Racks X96
<b>017370</b>	Mrg33 200µl, Filter Tips, Sterile, Covering Lid, Rack 10x96
<b>030510</b>	Mrg 300µl Xt, Filter Tips, Sterile, Covering Lid, 10 Racks X96
<b>030510T</b>	Mrg 300µl Xt, Filter Tips, Sterile, Low Bind., Covering Lid, 10 Racks X96
<b>014200</b>	Mrg 1000µl, Filer Tips, Sterile, Covering Lid, 10 Racks X100
<b>035260</b>	Mrg 1000µl, Filer Tips, Sterile, Low Bind., Covering Lid, 10 Racks X100
<b>134000CL</b>	Filter Tips 50-1250µl Extra Long Racked Universal Graduated Sterile X768
<b>34000</b>	Mrg 1250µl 1000xt, Filer Tips, Sterile, Hinged Lid, 8 Racks X96

## Cell rack tips in rack

Cat. No.	Description
<b>022210</b>	Tips 10µl E-Tip For Multichannel Eppendorf, Sterile 96x10x5
<b>022220</b>	Tips 10µl E-Tip For Multichannel Eppendorf, Covering Lid, 5 Packs X10 Racks X96
<b>023560</b>	Tips 10µlultra-G, Covering Lid, 5 Packs X10 Racks X96
<b>023570</b>	Tips 10µlultra-G, Sterile, Covering Lid, 5 Packs X10 Racks X96
<b>026410</b>	Tips 10µl Microreach, Sterile, Hinged Lid, 5 Packs X10 Racks X96
<b>026410T</b>	Tips 10µl Microreach, Sterile, Low Bind., Hinged Lid, 5 Packs X10 Racks X96
<b>027500</b>	Tips 10µl E-Tip, Sterile, Covering Lid, 10 Racks X96
<b>027510</b>	Tips 10µl E-Tip, Covering Lid, 10 Racks X96
<b>030570</b>	Microguard 10µl 10xl, Tips Lg Reach, Sterile, Hinged Lid, 5 Packs X10 Racks X96
<b>035010</b>	Tips 10µlultra-G, Low Bind., Covering Lid, 5 Packs X10 Racks X96
<b>035020</b>	Tips 10µlultra-G, Sterile, Low Bind., Covering Lid, 5 Packs X10 Racks X 96
<b>035060</b>	Tips 10µl E-Tip, Low Bind., Covering Lid, 5 Packs X10 Racks X96
<b>035070</b>	Tips 10µl E-Tip, Sterile, Low Bind., Covering Lid, 10 Racks X96
<b>037640</b>	Tips 10µl Microreach, Covering Lid, 5 Packs X10 Racks X96
<b>037640T</b>	Tips 10µl Microreach, Low Bind., Covering Lid, 5 Packs X10 Racks X96
<b>037660</b>	Tips 10µl Microreach, Sterile, Covering Lid, 5 Packs X10 Racks X96
<b>010500</b>	Tips 200µl, Covering Lid, 5 Packs X10 Racks X96
<b>010520</b>	Tips 200µl, Sterile, Covering Lid, 5 Packs X10 Racks X96
<b>010620</b>	Tips 200µl Yellow, Covering Lid, 5 Packs X10 Racks X96
<b>010660</b>	Tips 200µl Yellow, Sterile, Covering Lid, 5 Packs X10 Racks X96
<b>015360</b>	Tips 200µl Yellow Soft, Covering Lid, 5 Packs X10 Racks X96
<b>015370</b>	Tips 200µl Yellow Soft, Sterile, Covering Lid, 5 Packs X10 Racks X96
<b>015660</b>	Tips 200µl Soft, Covering Lid, 5 Packs X10 Racks X96
<b>015670</b>	Tips 200µl Soft, Sterile, Covering Lid, 5 Packs X10 Racks X96
<b>026430</b>	Tips 200µl Soft, Sterile, Hinged Lid, 5 Packs X10 Racks X96
<b>026430T</b>	Tips 200µl Soft, Sterile, Low Bind., Hinged Lid, 5 Packs X10 Racks X96
<b>030140</b>	Tips 200µl, Hinged Lid, 5 Packs X10 Racks X96
<b>030150</b>	Tips 200µl, Sterile, Hinged Lid, 5 Packs X10 Racks X96
<b>030160</b>	Tips 200µl Yellow, Hinged Lid, 5 Packs X10 Racks X96
<b>031800</b>	Tips 200µl Stdzn, Hinged Lid, 5 Packs X10 Racks X96
<b>031800T</b>	Tips 200µl Stdzn, Low Bind., Hinged Lid, 5 Packs X10 Racks X96
<b>032000</b>	Tips 200µl Yellow Stdzn, Hinged Lid, 5 Packs X10 Racks X96
<b>032100</b>	Tips 200µl Yellow Stdzn, Sterile, Hinged Lid, 5 Packs X10 Racks X96
<b>032230</b>	Tips 200µl Soft, Covering Lid, 10 Racks X96
<b>032240</b>	Tips 200µl Yellow Soft, Covering Lid, 10 Racks X96
<b>032250</b>	Tips 200µl Soft, Sterile, Covering Lid, 10 Racks X96
<b>032260</b>	Tips 200µl Yellow Soft, Sterile, Covering Lid, 10 Racks X96
<b>032270</b>	Tips 200µl Stdzn, Hinged Lid, 10 Racks X96
<b>032280</b>	Tips 200µl Stdzn, Sterile, Low Bind., Hinged Lid, 10 Racks X96
<b>032290</b>	Tips 200µl Yellow Stdzn, Hinged Lid, 10 Racks X96
<b>032300</b>	Tips 200µl Yellow Stdzn, Sterile, Hinged Lid, 10 Racks X96
<b>035090</b>	Tips 200µl Soft, Low Bind., Covering Lid, 5 Packs X10 Racks X96
<b>035100</b>	Tips 200µl Soft, Sterile, Low Bind., Covering Lid, 5 Packs X10 Racks X96
<b>030920</b>	Tips 300µl Ext. Length, Covering Lid, 10 Racks X96
<b>030930</b>	Tips 300µl Ext. Length, Sterile, Covering Lid, 10 Racks X96
<b>030930T</b>	Tips 300µl Ext. Length, Sterile, Low Bind., Covering Lid, 5 Packs X10 Racks X96
<b>031780</b>	Tips 300µl Nx, Covering Lid, 5 Packs X10 Racks X96
<b>031790</b>	Tips 300µl Nx, Sterile, Covering Lid, 5 Packs X10 Racks X96
<b>010080</b>	Tips 1000µl Blue, Covering Lead, 5 Packs X10 Racks X100
<b>010130</b>	Tips 1000µl Blue, Sterile, Covering Lead, 5 Packs X10 Racks X100
<b>010200</b>	Tips 1000µl, Covering Lead, 5 Packs X10 Racks X100
<b>010230</b>	Tips 1000µl, Sterile, Covering Lead, 5 Packs X10 Racks X100
<b>027110</b>	Tips 1000µl Blue, Covering Lead, 10 Racks X100
<b>027120</b>	Tips 1000µl Blue, Sterile, Covering Lead, 10 Racks X100
<b>035180</b>	Tips 1000µl, Low Bind., Covering Lead, 5 Packs X10 Racks X100
<b>035190</b>	Tips 1000µl, Sterile, Low Bind., Covering Lead, 5 Packs X10 Racks X100
<b>134750</b>	Tips 1250µl 1000xt, 8 Racks X96
<b>134760</b>	Tips 1250µl 1000xt, Sterile, 8 Racks X96

## Reload tips

Cat. No.	Description
<b>170700</b>	Tips Reload Starter Kit 10µl Microreach, 10 Racks X96 + 10 Empty Racks
<b>170710</b>	Tips Reload Starter Kit 200µl Stdzn, 10 Racks X96 + 10 Empty Racks
<b>170720</b>	Tips Reload Starter Kit 200µl Stdzn Yellow, 10 Racks X96 + 10 Empty Racks
<b>170730</b>	Tips Reload Starter Kit 300µl Nx, 10 Racks X96 + 10 Empty Racks
<b>170740</b>	Tips Reload Starter Kit 1250µl 1000xt, 8 Racks X96 + 8 Empty Racks

## Quick rack tips

Cat. No.	Description
<b>030430</b>	Quickrack Stdzn Reload Tips 200µl Soft, X960x5
<b>030440</b>	Quickrack Stdzn Reload Tips 200µl Yellow Soft, 10 Packs X5 Trays X96
<b>030450</b>	Quickrack Reload Tips 200µl Soft, 10 Packs X5 Trays X96
<b>030450T</b>	Quickrack Reload Tips 200µl Soft, Low Bind., 10 Packs X5 Trays X96
<b>030460</b>	Quickrack Reload Tips 200µl Yellow Soft, 10 Packs X5 Trays X96
<b>030470</b>	Quickrack Reload Tips 10µl Ultra-G, X960x5
<b>035030</b>	Quickrack Reload Tips 10µl Ultra-G, Low Bind., 10 Packs X5 Trays X96
<b>035110</b>	Quickrack Reload Tips 200µl Soft, Low Bind., 10 Packs X5 Trays X96
<b>037820</b>	Quickrack Reload Tips 10µl Microreach, 10 Packs X5 Trays X96
<b>037820T</b>	Quickrack Reload Tips 10µl Microreach, Low Bind., 10 Packs X5 Trays X96
<b>134770</b>	Quickrack Reload Tips 1250µl 1000xt, 10 Packs X5 Trays X96

## Tipstation

Cat. No.	Description
<b>027700</b>	Tipstation 200µl Yellow, 5 Packs X5 Layers X192 Tips
<b>027710</b>	Tipstation 200µl Yellow, Sterile, 5 Packs X5 Layers X192 Tips
<b>027720</b>	Tipstation 200µl Stdzn Yellow, 5 Packs X5 Layers X192 Tips
<b>027730</b>	Tipstation 200µl Stdzn Yellow, Sterile, 5 Packs X5 Layers X192 Tips
<b>027740T</b>	Tipstation 200µl, Low Bind., 5 Packs X5 Layers X192 Tips
<b>027750</b>	Tipstation 200µl, Sterile, 5 Packs X5 Layers X192 Tips
<b>027750T</b>	Tipstation 200µl, Sterile, Low Bind., 5 Packs X5 Layers X192 Tips
<b>027760</b>	Tipstation 200µl Stdzn, 5 Packs X5 Layers X192 Tips
<b>027760T</b>	Tipstation 200µl Stdzn, Low Bind., 5 Packs X5 Layers X192 Tips
<b>027770</b>	Tipstation 200µl Stdzn, Sterile, 5 Packs X5 Layers X192 Tips
<b>027770T</b>	Tipstation 200µl Stdzn, Sterile, Low Bind., 5 Packs X5 Layers X192 Tips
<b>027780</b>	Tipstation 10µl Microreach, 5 Packs X5 Layers X192 Tips
<b>027780T</b>	Tipstation 10µl Microreach, Low Bind., 5 Packs X5 Layers X192 Tips
<b>027790</b>	Tipstation 10µl Microreach, Sterile, 5 Packs X5 Layers X192 Tips
<b>027790T</b>	Tipstation 10µl Microreach, Sterile, Low Bind., 5 Packs X5 Layers X192 Tips

## Bagged

Cat. No.	Description
<b>013970</b>	Tips 10µl E-Tip, 1 Bag Of 1000 Tips
<b>013980</b>	Tips 10µl E-Tip, 10 Bags Of 1000 Tips
<b>017260</b>	Ultra-G 0.1-10ul Tip , 50x1.000
<b>023580</b>	Tips 10µl Ultra-G, 10 Bags Of 1000 Tips
<b>035000</b>	Tips 10µl Ultra-G, Low Bind., 10 Bags Of 1000 Tips
<b>035040</b>	Tips 10µl E-Tip, Low Bind., 10 Bags Of 1000 Tips
<b>037650</b>	Tips 10µl Microreach, 10 Bags Of 1000 Tips
<b>037650T</b>	Tips 10µl Microreach, Low Bind., 10 Bags Of 1000 Tips
<b>010440</b>	Tips 200µl, 1 Bag Of 1000 Tips
<b>010470</b>	Tips 200µl, 10 Bags Of 1000 Tips
<b>010580</b>	Tips 200µl Yellow, 1 Bag Of 1000 Tips
<b>010590</b>	Tips 200µl Yellow, 10 Bags Of 1000 Tips
<b>015720</b>	Tips 200µl Soft, 10 Bags Of 1000 Tips
<b>015730</b>	Tips 200µl Yellow Soft, 10 Bags Of 1000 Tips
<b>017020</b>	Standard Tip Yellow 1-200ul X 30.000
<b>032420</b>	Tips 200µl Soft, 30 Bags Of 1000 Tips
<b>032430</b>	Tips 200µl Yellow Soft, 30 Bags Of 1000 Tips
<b>035080</b>	Tips 200µl Soft, Low Bind., 10 Bags Of 1000 Tips
<b>031770</b>	Tips 300µl, 10 Bags Of 1000 Tips
<b>130800</b>	Tips 300µl Ext. Length, 10 Bags Of 1000 Tips
<b>130800A</b>	Tips 300µl Ext. Length, 1 Bag Of 1000 Tips
<b>130800T</b>	Tips 300µl Ext. Length, Low Bind., 10 Bags Of 1000 Tips
<b>010020</b>	Tips 1000µl Blue, 1 Bag Of 1000 Tips
<b>010040</b>	Tips 1000µl Blue, 10 Bags Of 1000 Tips
<b>010180</b>	Tips 1000µl, 1 Bag Of 1000 Tips
<b>010190</b>	Tips 1000µl, 10 Bags Of 1000 Tips
<b>017070</b>	Tip 100-1000ul ,Blue, X 10000
<b>035170</b>	Tips 1000µl, Low Bind., 10 Bags Of 1000 Tips
<b>031610</b>	Tips 1250µl 1000xt, 10 Bags Of 768 Tips

Distributed by